

Strike First Corporation of America

SN-SONOMA Series Extinguisher and Valve Cabinets

Detail & Submittal Sheet

SFCA SONOMA Series cabinets are fully recessed and have a concealed hinge. The Sonoma's aesthetically clean and trim appearance blends in with any decor. The cabinet design and appearance is superior for use in ultra modern interior designed commercial facilities. All Sonoma cabinets come standard with flush Sonoma handle.

SPECIFICATION PROCESS: Follow the steps below to specify your cabinet. See detail legend on page 3.

STEP 1: SERIES:

- A - APEX** - Non-Fire Rated
- S - SAFEGUARD** - Fire Rated

STEP 2: EXTINGUISHER SIZE:

- 1 - 10 lb.
- 2 - 20 lb.

STEP 3: CABINET STYLE:

- 2 - Fully-Recessed (FR)

STEP 4: DOOR STYLE:

- 7 - Full Metal (FM)
- 8 - Vertical Duo (VD)

STEP 5: CABINET TYPE:

- SN** - Sonoma Cabinet
- VC** - Valve Cabinet

STEP 6: FINISH OPTIONS:

- SSF** - Stainless Steel Front
- FSS** - Full Stainless Steel
- BT** - Black Tub

STEP 7: HANDLE OPTIONS:

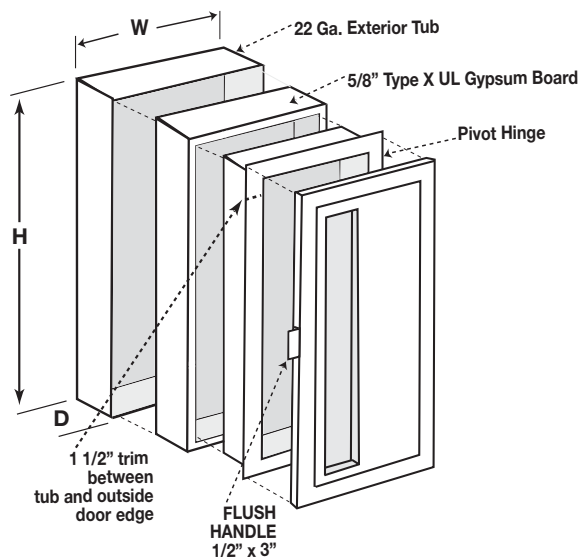
- SFCA-013** - Sonoma Stainless Steel Flush Handle (Standard)

STEP 8: GLAZING:

- G10** - Double Strength Glass
- G11** - Clear Acrylic (Standard)
- G12** - Clear Tempered Glass
- G13** - Single Strength Glass

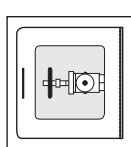
STEP 9: LETTERING:

- SFCA-004** - Decal "Fire Ext." Lrg Vert R/B

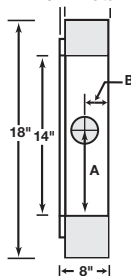


Safeguard Valve Knockout Drilling: No knockouts are provided with Sonoma Safeguard Valve Cabinets. Find the exact location of the pipe(s) which enter the cabinet and mark the cabinet tub appropriately. Both outside and inside tubs and insulation material must be completely open to receive pipe(s).

FULL GLASS



VALVE CABINET SIDE VIEW
1/4" Return



Project: _____

Specification Reference: _____

Model Number: _____ Quantity: _____

Architect: _____

Contractor: _____

Distributor: _____

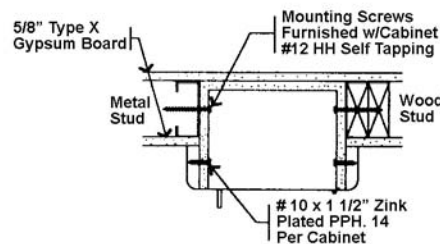
Approved By: _____

Date: _____

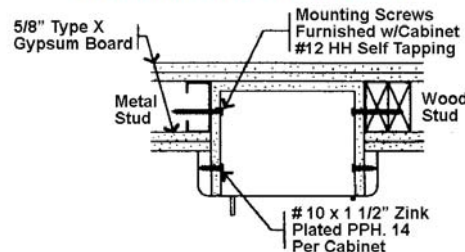
SAFEGUARD

Fire Rated Installation

ONE HOUR FIRE WALL SYSTEM



TWO HOUR FIRE WALL SYSTEM



UL Classified 5/8" Type X gypsum board inserted in the cavity between the two layers. Warnock Hersey has approved the Safeguard Cabinets to be mounted in any face of fire rated steel or wood stud for up to 2 hour rated walls without affecting its fire rating. The above meets the requirement test ASTM-E119-98 with test report WHI-495-1534. MOUNTING INSTRUCTIONS are supplied with each safeguard cabinet.

✓	Mod. #	Trim Style	Interior Tub Size			Overall Outside Trim		APEX Rough Opening			SAFEGUARD Rough Opening			Knockout Location		Accom. Ext Size Lbs.
			W	H	D	W	H	W	H	D	W	H	D	A	B	
Fully-Recessed																
	127-SN	trimless	9 1/2"	24"	6"	13 1/4"	27 3/4"	9 3/4"	24 1/4"	5 3/4"	11 1/2"	26"	6 3/4"	-	-	10
	128-SN	trimless	9 1/2"	24"	6"	13 1/4"	27 3/4"	9 3/4"	24 1/4"	5 3/4"	11 1/2"	26"	6 3/4"	-	-	10
	227-SN	trimless	12"	27"	8"	15 3/4"	30 3/4"	12 1/4"	27 1/4"	7 3/4"	13 1/2"	28 3/4"	8 3/4"	-	-	20
	228-SN	trimless	12"	27"	8"	15 3/4"	30 3/4"	12 1/4"	27 1/4"	7 3/4"	13 1/2"	28 3/4"	8 3/4"	-	-	20
Valve Cabinet																
	VC-SN	trimless	18"	18"	8"	20 3/4"	20 3/4"	19 1/4"	18 1/4"	8"	20"	20"	9"	9"	4"	Angle Valve 2 1/2"