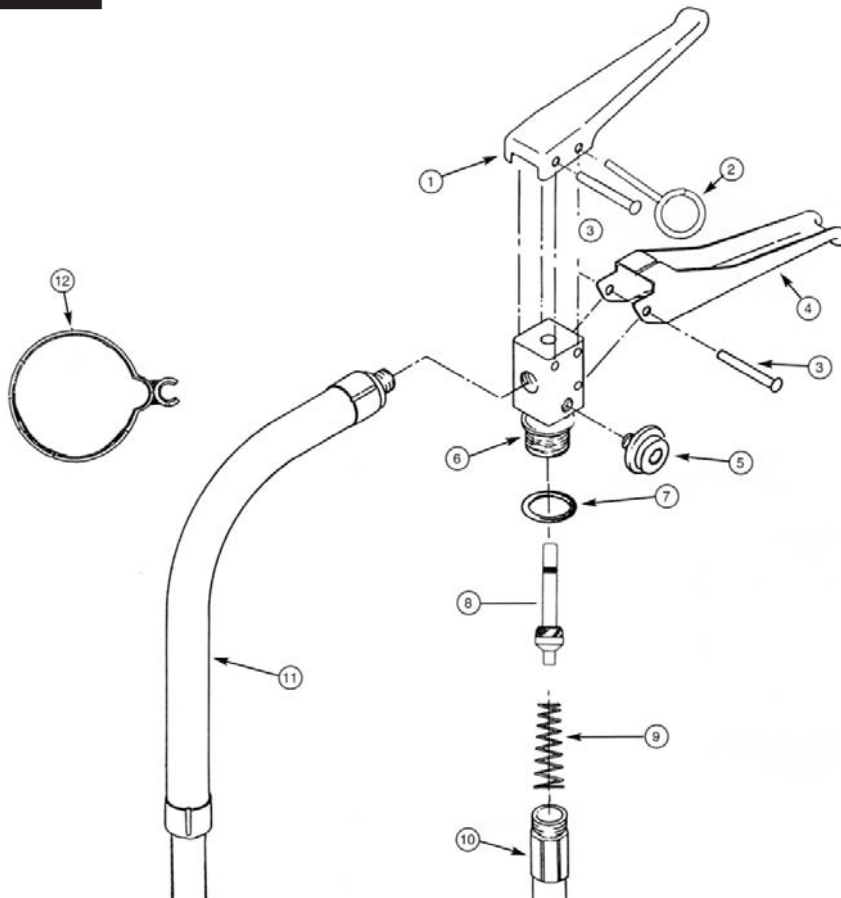




**Strike First
Corporation
of America**

PARTS for Fire Extinguishers ABC

Valve Assembly Parts for 5 lb. ABC, 5 lb. HP, 10 lb. and 20 lb. ABC



PARTS for Fire Extinguisher

Model. #	Part Name	Models Used On	✓
Valve Assembly Parts for 5 lb. ABC, 5 lb. HP, 10 lb. ABC and 20 lb. ABC			
SF-160414	Top Lever (Rivet Not Included) (1)	5 ABC, 5 HP, 10 ABC	
SF-160416	Top Lever (Rivet Not Included) (1)	20 ABC	
SF-951236	Stainless Steel Pull Pin (2)	5 ABC, 5 HP, 10 ABC, 20 ABC	
SF-162803	Handle Rivet (3)	5 ABC, 5 HP, 10 ABC, 20 ABC	
SF-160396	Carry Handle (4)	5 ABC, 5 HP, 10 ABC	
SF-160395	Carry Handle (4)	20 ABC	
SF-195PSI	Pressure Gauge (5)	5 ABC, 5 H	
SF-235PSI	Pressure Gauge (5)	10 ABC, 20 ABC	
SF-160688	Valve Body (6)	5 ABC, 5 HP, 10 ABC, 20 ABC	
SF-161345	O-Ring .118 (7)	5 ABC, 5 HP, 10 ABC, 20 ABC	
SF-161428	Valve Stem Assembly (8)	5 ABC, 5 HP, 10 ABC, 20 ABC	
SF-161230	Spring (9)	5 ABC, 5 HP, 10 ABC, 20 ABC	
SF-163518	Syphon Tube Assembly (10)	5 ABC	
SF-163519	Syphon Tube Assembly (10)	5 HP ABC	
SF-163531	Syphon Tube Assembly (10)	10 ABC	
SF-163549	Syphon Tube Assembly (10)	20 ABC	
SF-161605	Hose Assembly (11)	5 ABC	
SF-161606	Hose Assembly (11)	5 HP ABC	
SF-162276	Hose Assembly (11)	10 ABC	
SF-162269	Hose Assembly (11)	20 ABC	
SF-160500	Hose Band (12)	5 ABC, 5 HP	
SF-160100	Hose Band (12)	10 ABC	
SF-160200	Hose Band (12)	20 ABC	
SF-118	Recharging Adaptor (not shown)	5 ABC, 5 HP, 10 ABC, 20 ABC	