



Strike First Corporation of America

CLASSIC SERIES Surface Mounted and Semi-Recessed Cabinets

Detail & Submittal Sheet

Project: _____

Specification Reference: _____

Model Number: _____ Quantity: _____

Architect: _____

Contractor: _____

Distributor: _____

Approved By: _____

Date: _____

Construction Specifications:

The **CLASSIC Series** cabinets are an economical choice for both commercial and aftermarket use. These surface mounted and semi-recessed cabinets offer a clean appearance and come complete with breaker bar, safety locks, acrylic viewing panels and break glass decal.

Step 1 Select Model Number and Quantity and indicate on the line above. _____

✓	Mod. #	Return Trim	Interior Tub Size			Overall Outside Trim Dim.			Rough Opening			Shipping Weight In Lbs	Accom. Ext. Size In Lbs.
			W	H	D	W	H	D	W	H	D		
CLASSIC SERIES CABINETS													
	SF-100-HT	-	9"	20 1/4"	5 3/4"	9"	20 1/2"	6"	-	-	-	6	5
	SF-100-SR	-	8 1/2"	20 1/2"	5 3/4"	11 1/4"	23 3/4"	6"	9"	21 3/4"	3"	11	5
	SF-999-HT	-	10 1/2"	24 1/4"	6 1/4"	10 1/2"	24"	6 1/2"	-	-	-	12	10
	SF-999-SR	-	10 1/2"	24 1/4"	6 1/4"	13 3/4"	27 1/4"	6 1/2"	10 3/4"	24 1/2"	3"	15	10
	SF-104	-	14 1/8"	30 1/8"	9 1/16"	-	-	-	-	-	-	23	20

Step 2 Customize your cabinet with the following options: _____

- Heavy gauge galvanized steel
- Complete with cylinder lock keyed alike
- Baked white enamel finish
- Acrylic plastic viewing panel
- Breaker bar and chain
- Break glass decal
- Optional surface mount or semi-recessing frame

Additional Options At Extra Cost

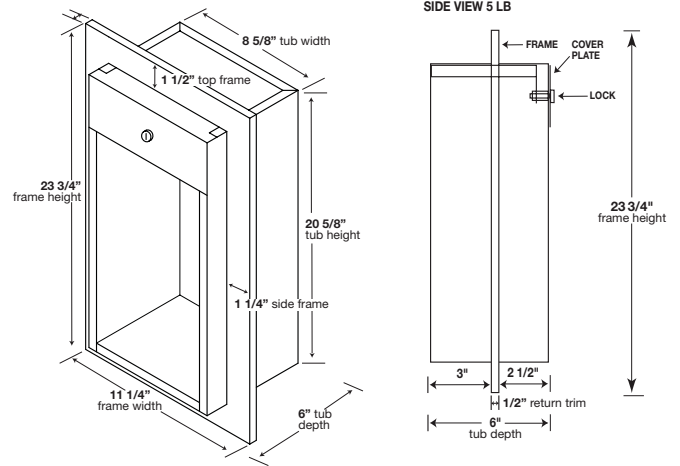
Select Finish Style (checkbox below):

Red baked enamel

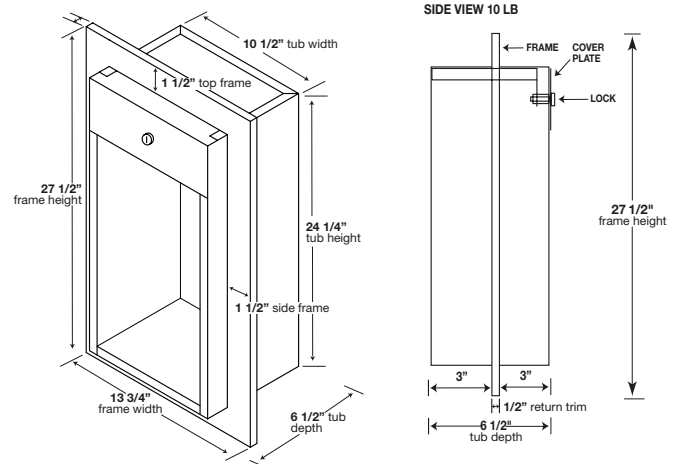
Select Glazing Style (checkbox below):

Glass

SEMI-RECESSED
SF-100-SR (5 LB.) OUTSIDE DIMENSIONS



SEMI-RECESSED
SF-999-SR (10 LB.) OUTSIDE DIMENSIONS



SURFACE
SF-100/999-HT

