



**Strike First Corporation of America**

**APEX Non-Rated and SAFEGUARD Series Fire-Rated Valve Cabinets**

**Detail & Submittal Sheet**

Project: \_\_\_\_\_

Specification Reference: \_\_\_\_\_

Model Number: \_\_\_\_\_ Quantity: \_\_\_\_\_

Architect: \_\_\_\_\_

Contractor: \_\_\_\_\_

Distributor: \_\_\_\_\_

Approved By: \_\_\_\_\_

Date: \_\_\_\_\_

**Construction Specifications:**

The Strike First Valve Cabinets are designed with the same quality features as our Apex and Safeguard Series cabinets and are available with a full metal or full glass door panel.

**Safeguard Valve Knockout Drilling:** No knockouts are provided with Safeguard Valve Cabinets. Find the exact location of the pipe(s) which enter the cabinet and mark the cabinet tub appropriately. Both outside and inside tubs and insulation material must be completely open to receive pipe(s).

WARNOCK HERSEY

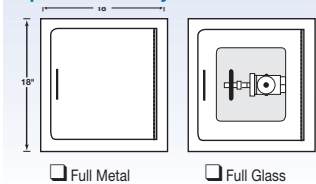
UL Classified 5/8" Type X gypsum LISTED board inserted in the cavity between the two layers. Warnock Hersey has approved the Safeguard Cabinets to be mounted in any face of fire rated steel or wood stud for up to 2 hour rated walls without affecting its fire rating. The above meets the requirement test ASTM-E119-98 with test report WHI-495-1534. MOUNTING INSTRUCTIONS are supplied with each safeguard cabinet.

**Step 1 Select Model Number and Quantity and indicate on the line above.**

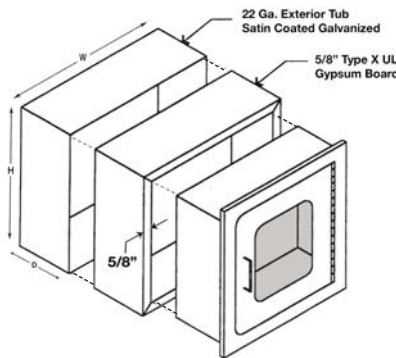
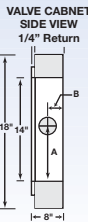
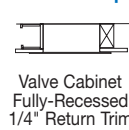
✓	Mod. #	Return Trim	Interior Tub Size			Overall Outside Trim Dim.		Rough Opening			Knockout Locations		Angle Valve
			W	H	D	W	H	W	H	D	A	B	
<b>APEX NON-FIRE RATED</b>													
	A-VC-SM-FG	-	18"	18"	8"	18"	18"	-	-	-	-	-	1 1/2" - 2 1/2"
	A-VC-SM-FM	-	18"	18"	8"	18"	18"	-	-	-	-	-	1 1/2" - 2 1/2"
	A-VC-SM-VD	-	18"	18"	8"	18"	18"	-	-	-	-	-	1 1/2" - 2 1/2"
	A-VC-FR-FG	1/4"	18"	18"	8"	22"	22"	18 1/4"	181/4"	7 3/4"	9	4	1 1/2" - 2 1/2"
	A-VC-FR-FM	1/4"	18"	18"	8"	22"	22"	18 1/4"	181/4"	7 3/4"	9	4	1 1/2" - 2 1/2"
	A-VC-FR-VD	1/4"	18"	18"	8"	22"	22"	18 1/4"	181/4"	7 3/4"	9	4	1 1/2" - 2 1/2"
<b>SAFEGUARD FIRE RATED</b>													
	S-VC-FR-FG	1/2"	18"	18"	8"	22"	22"	19 5/16"	19 5/16"	8 1/2"	-	-	1 1/2" - 2 1/2"
	S-VC-FR-FM	1/2"	18"	18"	8"	22"	22"	19 5/16"	19 5/16"	8 1/2"	-	-	1 1/2" - 2 1/2"
	S-VC-FR-VD	1/2"	18"	18"	8"	22"	22"	19 5/16"	19 5/16"	8 1/2"	-	-	1 1/2" - 2 1/2"

**Step 2 Customize your cabinet with the following options:**

**Optional Door Styles**



**Installation Options**



**Model Numbers**

- Series: **A** = Apex (non-rated)  
**S** = Safeguard (rated)
- Cabinet Style: **SM** = Surface  
**SR** = Semi-Recessed  
**FR** = Fully-Recessed
- Door Style: **FG** = Full Glass  
**FM** = Full Metal  
**VD** = Vertical Duo
- Cabinet Type: **VC** = Valve Cabinet

**Additional Options At Extra Cost**

Select Finish preference (✓ one box below):

SSF - Stainless Steel Front

Select Door Handle Style (✓ one box below):

Safety Break Lock

Select Glazing (Glass) Style (✓ one box below):

Double Strength Glass

Clear Acrylic

Clear Tempered Glass

Single Strength Glass

Select optional vertical lettering (✓ one box below):

Decal "Pull Firmly..." *R only*

Decal "Fire Ext." Sm Vert *R/B*

Decal "Fire Ext." Lrg Vert *R/B*

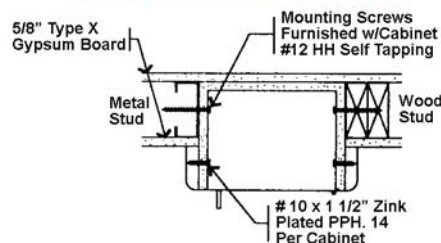
Decal "Fire Ext." Sm Horiz *R/B*

Decal "Fire Ext." Lrg Horiz *R/B*

**SAFEGUARD**

**Typical Semi-Recessed Fire Rated Installation**

**ONE HOUR FIRE WALL SYSTEM**



**TWO HOUR FIRE WALL SYSTEM**

